

GHC-30 Sliding Door Latch

Features

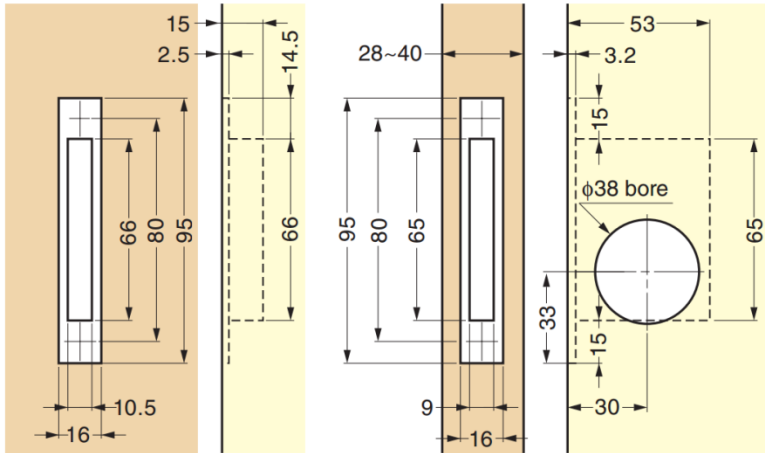
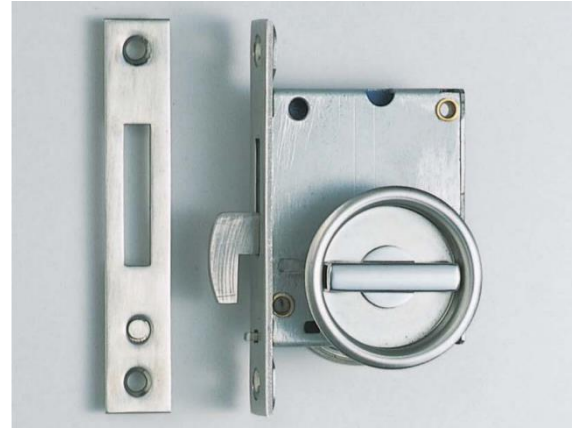
- Ideal for harsh and high corrosion environments
- Easy installation, flat and compact design for various application
- Can be unlocked from outside in case of emergency

Material

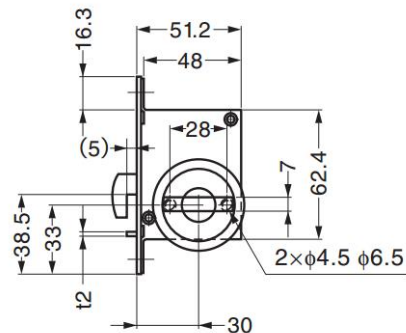
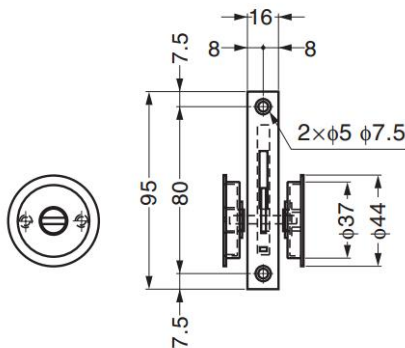
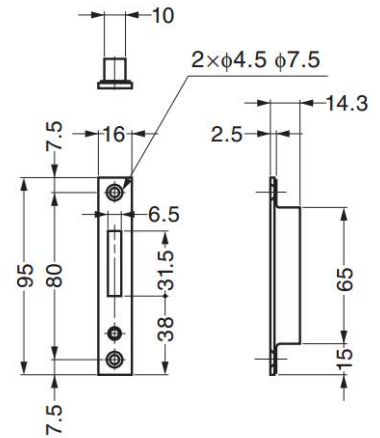
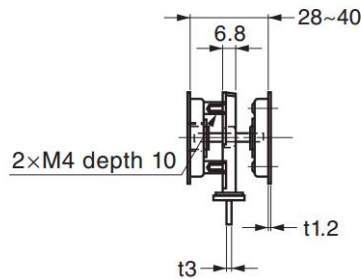
- Stainless steel 304, satin finish

Parts Included

- Countersunk head wood screw 3.5×20 (SUS)



From outside



Part No.	Door Thickness
GHC-30	28 ~ 40